

OSCILLOGRAPH TUBE

E46-G10/B10

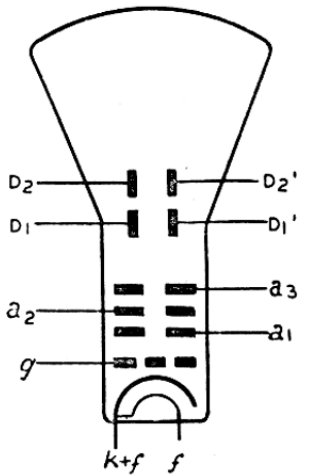


FIG 1

258 MAX

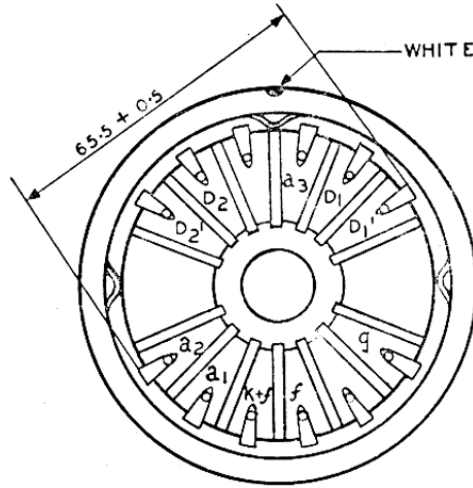


FIG 2

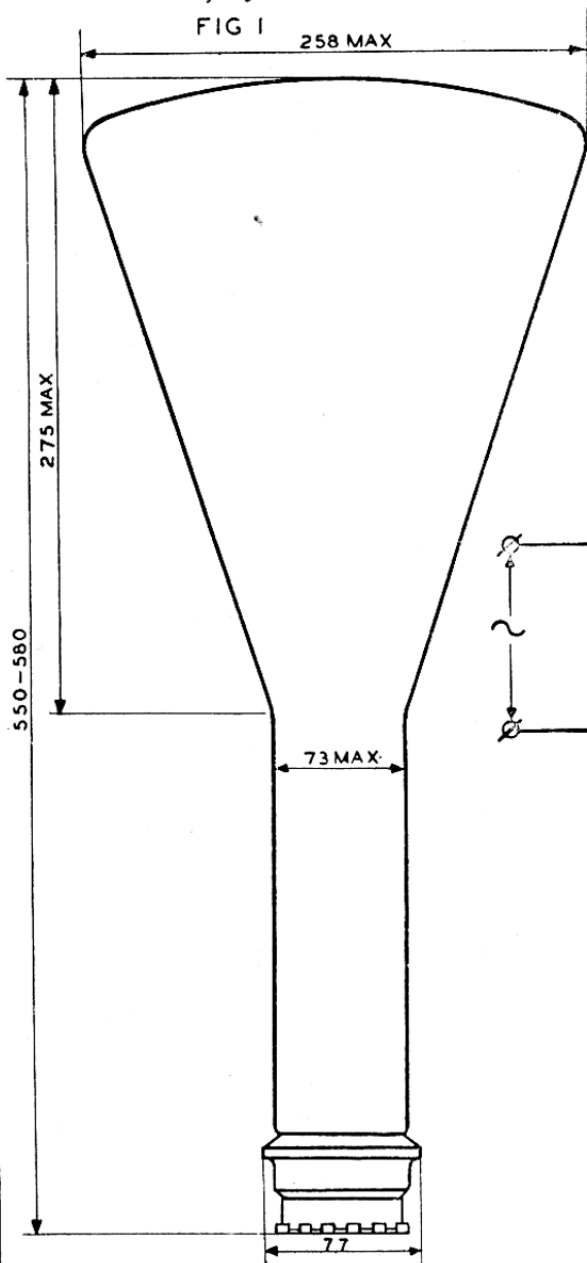
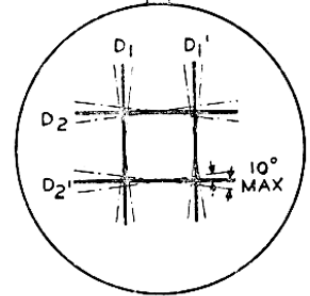


FIG 3

DIMENSIONS IN M/M

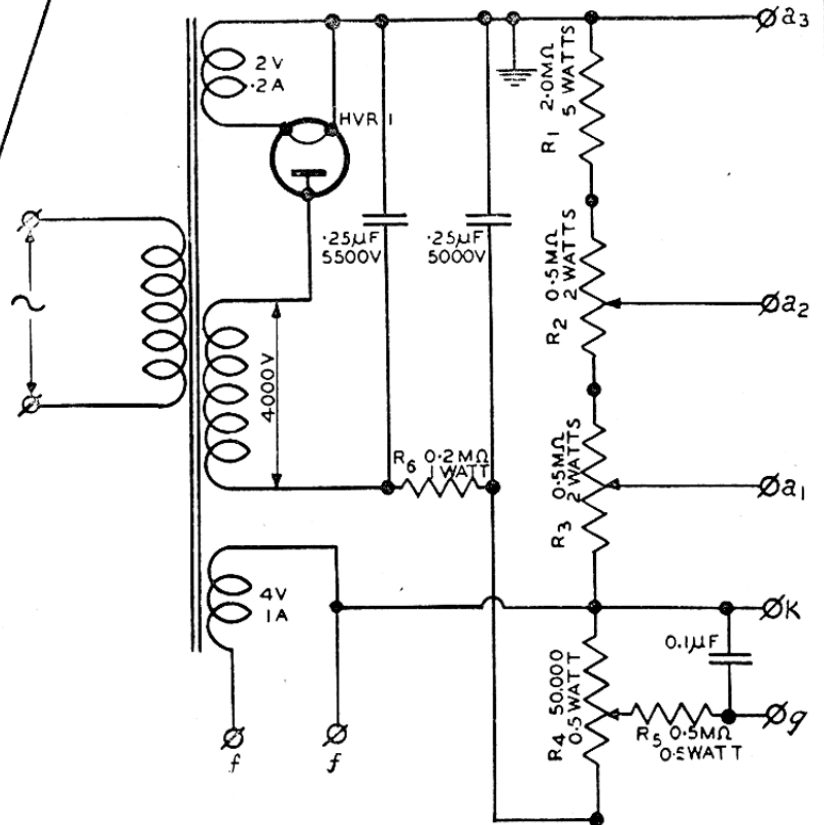


FIG 4