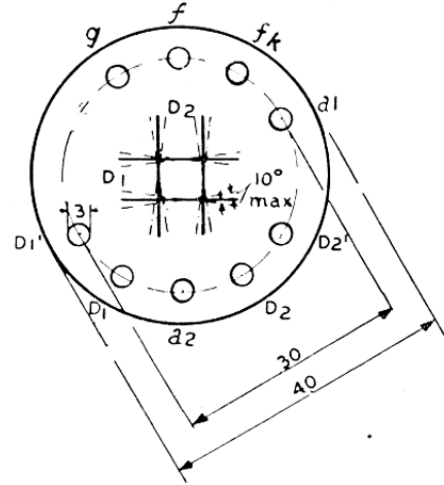
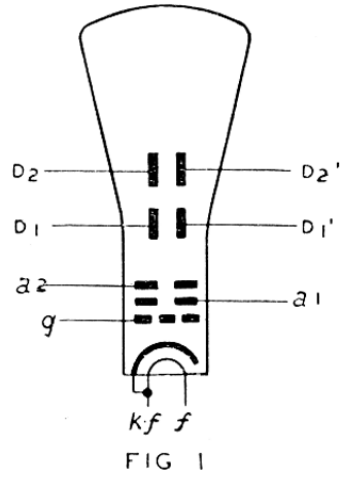


# OSCILLOGRAPH TUBE

# A41-G4/B4



DIMENSIONS IN M/M

