

OSCILLOGRAPH TUBE

4002-4002A

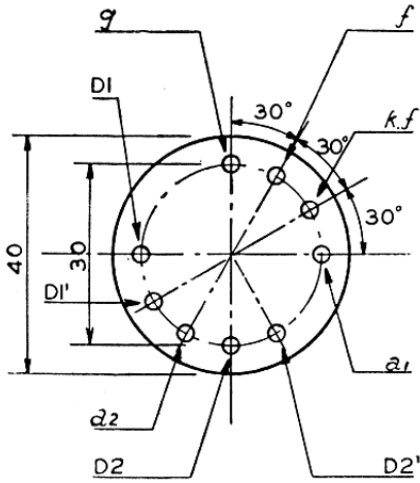


FIG 1

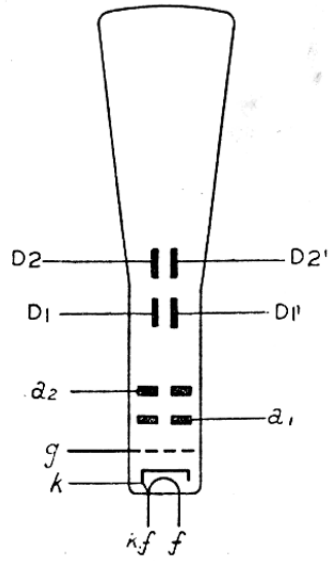


FIG 2

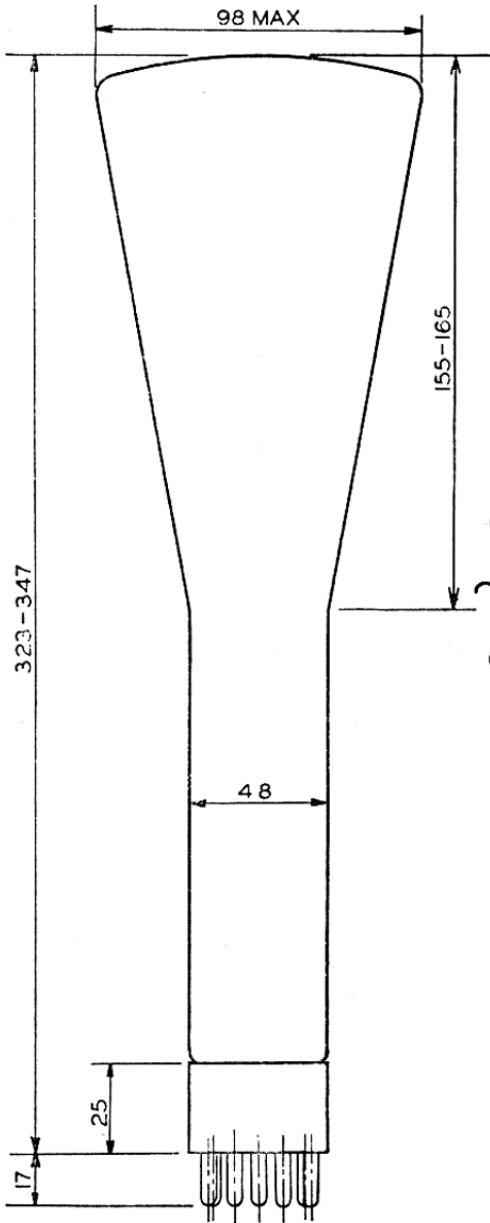


FIG 3

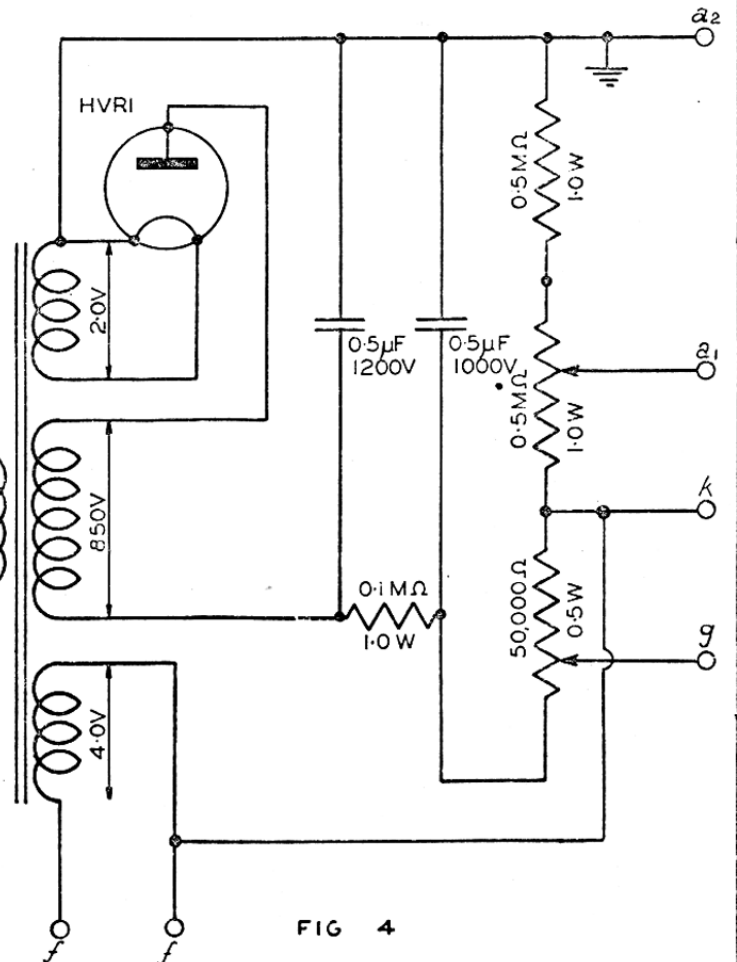


FIG 4

DIMENSIONS IN M/M