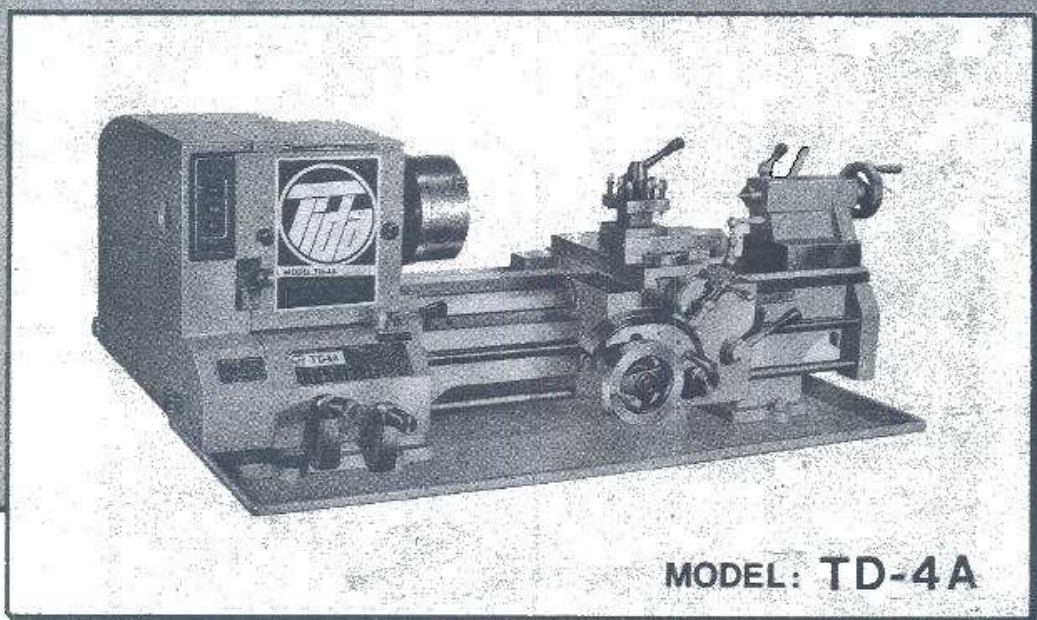


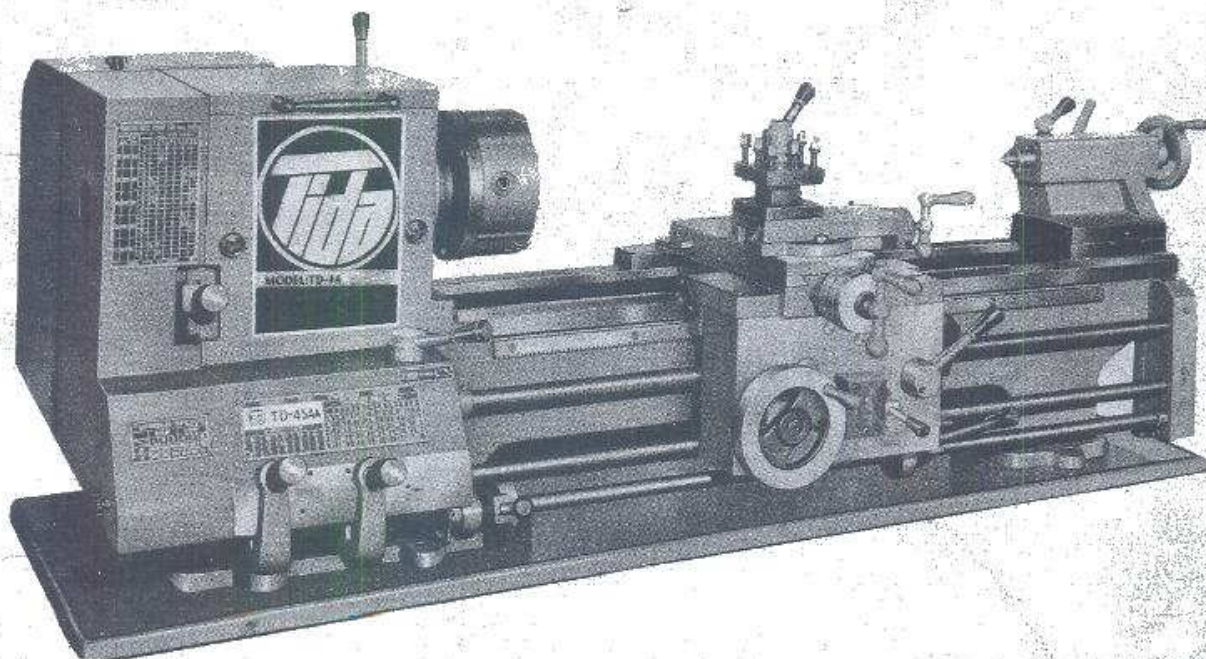
PARTS LIST

tida

**PRECISION
BENCH LATHE**



MODEL: TD-4A

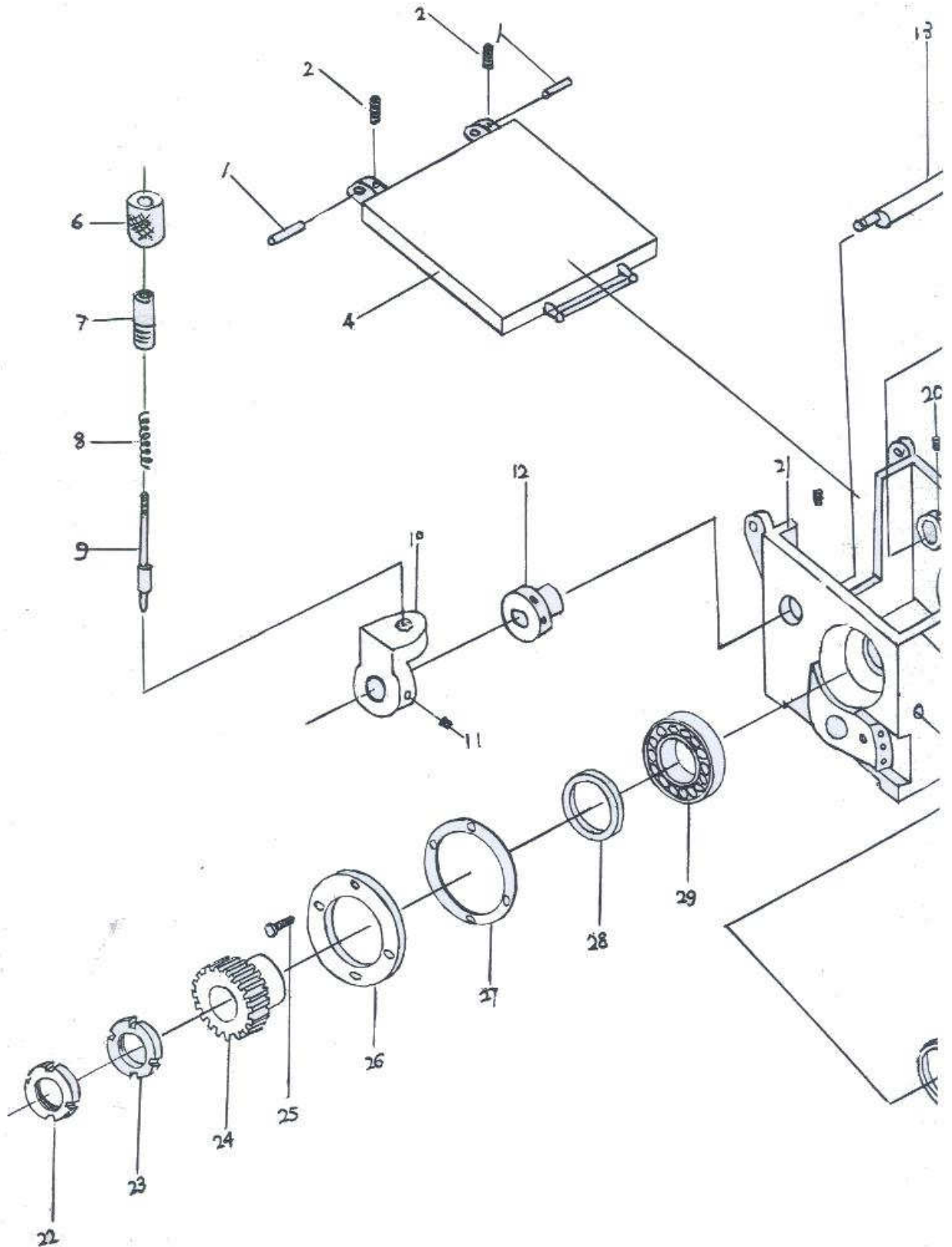


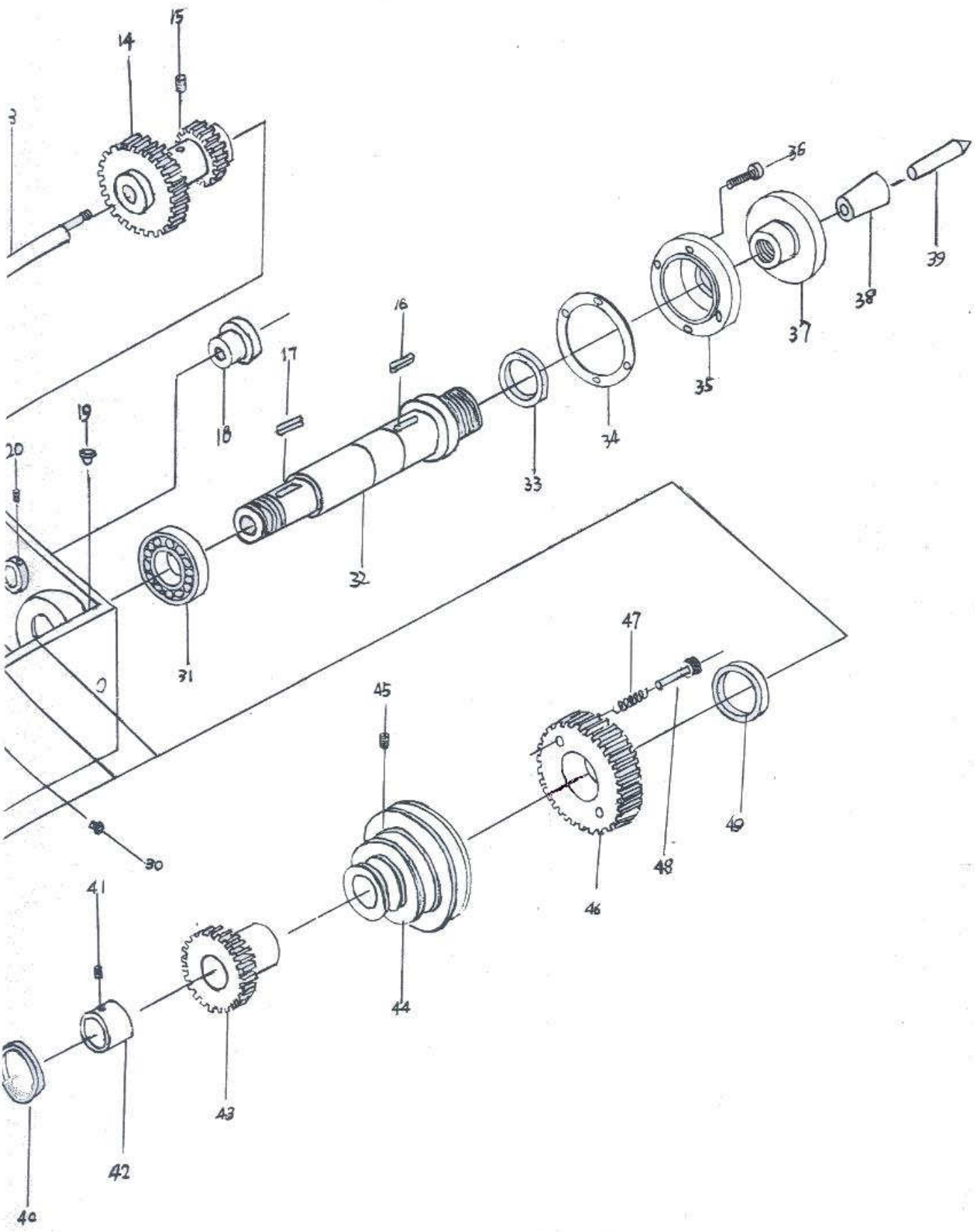
MODEL: TD-4AA

CHANGE GEAR

PART NO.	DESCRIPTION	QUANTITY	REMARK
TD-4H-1	Set Screw	2	
" 2	Side Cover	1	
" 3	Key	1	
" 4	Gear	1	
" 5	Nut	1	
" 6	Washer	1	
" 7	Quadrant Bracket	1	
" 8	Special Bolt	1	
" 9	Nut	1	
" 10	Washer	1	
" 11	Connection Gear	1	
" 12	Shaft	1	
" 13			
" 14	Bushing	1	
" 15	Stud	1	
" 16	Spring	1	
" 17	Screw	1	
" 18	Shifter Pin	1	
" 19	Nut	1	
" 20	Washer	1	
" 21	Bearing	1	
" 22	Bushing	1	
" 23	Bearing	1	
" 24	Shaft	1	
" 25	Key	1	
" 26	Sleeve	1	
" 27	Set Screw	1	
" 28	Pinion	1	
" 29	Gear Shaft	1	
" 30	Nut	1	
" 31	Gear	1	
" 32	Gear	1	
" 33	Tumbler	1	
" 34	Gear	1	

HEAD STOCK





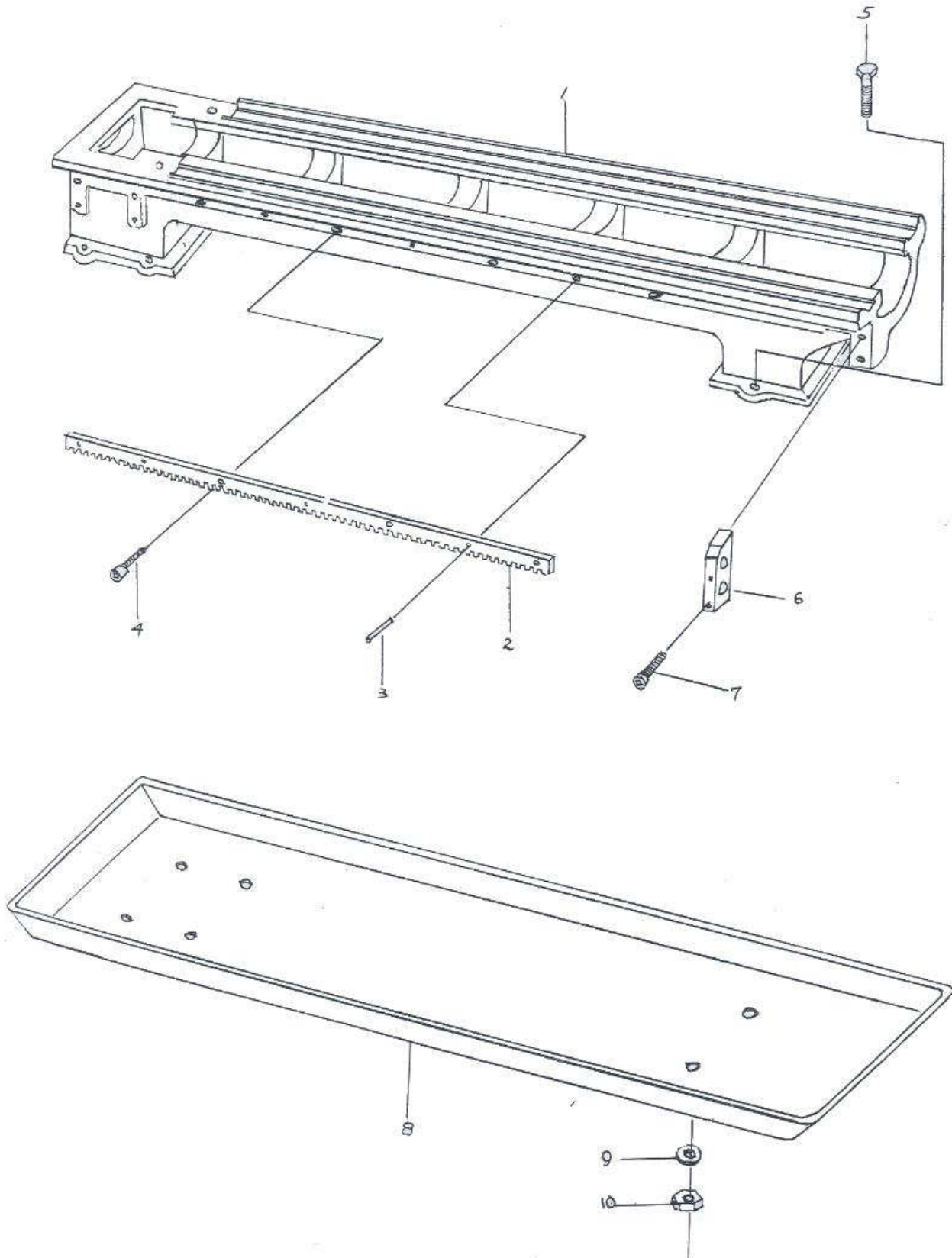
HEAD STOCK

PART NO.	DESCRIPTION	QUANTITY	REMARK
TD-4A-1	Shaft	2	
" 2	Set Screw	2	
" 3			
" 4	Head Stock Cover	1	
" 5			
" 6	Bushing	1	
" 7	Stud	1	
" 8	Spring	1	
" 9	Pin	1	
" 10	Bracket	1	
" 11	Set Screw	1	
" 12	Bushing	1	
" 13	Eccentric Shaft	1	
" 14	Back Gear	1	
" 15	Set Screw	1	
" 16	Key	1	
" 17	Key	1	
" 18	Bushing	1	
" 19	Oil Nipple	2	
" 20	Set Screw	2	
" 21	Head Stock Case	1	
" 22	Nut Collar	1	
" 23	Nut Collar	1	
" 24	Gear	1	
" 25	Set Screw	1	
" 26	Bearing Cover	1	
" 27	Packing	1	
" 28	Oil Seal	1	
" 29	Roll Bearing	1	
" 30	Oil Window	2	
" 31	Roll Bearing	1	
" 32	Spindle	1	
" 33	Oil Seal	1	
" 34	Packing	1	

HEAD STOCK

PART NO.	DESCRIPTION	QUANTITY	REMARK
TD-4A-35	Bearing Cover	1	
" 36	Set Screw	4	
" 37	Back Plate	1	
" 38	Sleeve	1	
" 39	Center	1	
" 40	Set Screw	1	
" 41	Set Screw	1	
" 42	Bushing	1	
" 43	Gear	1	
" 44	Pulley	1	
" 45	Set Screw	1	
" 46	Gear	1	
" 47	Spring	1	
" 48	Lock Pin	1	
" 49	Oil Seal	1	

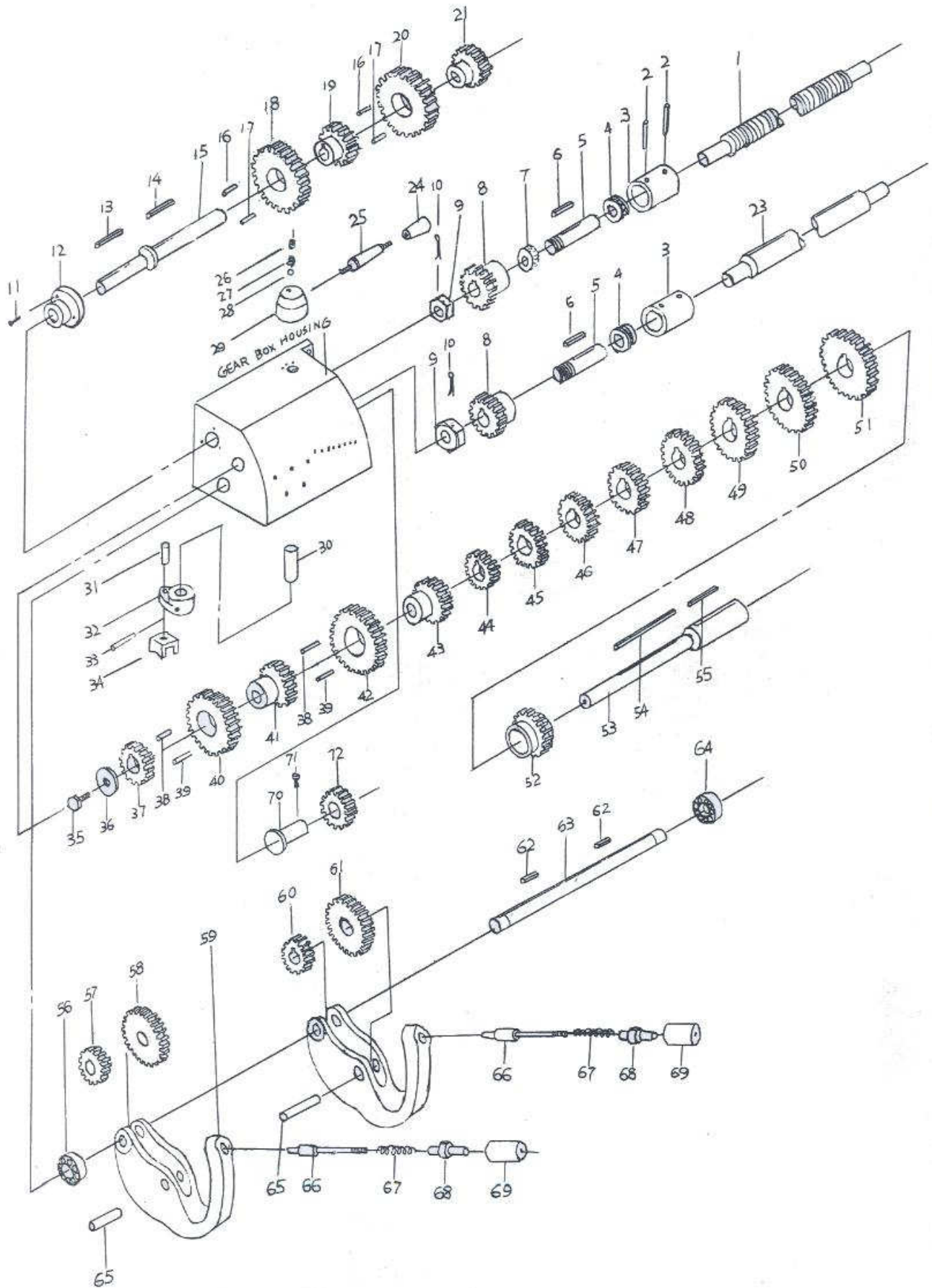
BED ASSEMBLY



BED ASSEMBLY

PART NO	DESCRIPTION	QUANTITY	REMARK
TD-4B-1	Lathe Bed	1	
" 2	Rack Gear	1	
" 3	Taper Pin	3	
" 4	Set Screw	4	
" 5	Screw	6	
" 6	Lead Screw Bracket	1	
" 7	Set Screw	2	
" 8	Chip Pan	1	
" 9	Washer	6	
" 10	Nut	6	

GEAR BOX



GEAR BOX

PART NO.	DESCRIPTION	QUANTITY	REMARK
TD-4C-1	Lead Screw	1	
" 2	Taper Pin	2	
" 3	Sleeve	2	
" 4	Thrust Ball Bearing	2	
" 5	Shaft	2	
" 6	Key	2	
" 7	Thrust Ball Bearing	2	
" 8	Gear	2	
" 9	Nut	2	
" 10	Cotter Pin	2	
" 11	Screw	3	
" 12	Collar	1	
" 13	Key	1	
" 14	Key	1	
" 15	Gear Shaft	1	
" 16	Pin	1	
" 17	Pin	1	
" 18	Gear	1	
" 19	Gear	1	
" 20	Gear	1	
" 21	Gear	1	
" 22			
" 23	Feed Shaft	1	
" 24	Knob	1	
" 25	Lever	1	
" 26	Set Screw	1	
" 27	Spring	1	
" 28	Steel Ball	1	
" 29	Hondle Boss	1	
" 30	Shaft	1	
" 31	Pin	1	
" 32	Shifter Lever	1	
" 33	Pin	1	
" 34	Gear Shifter	1	

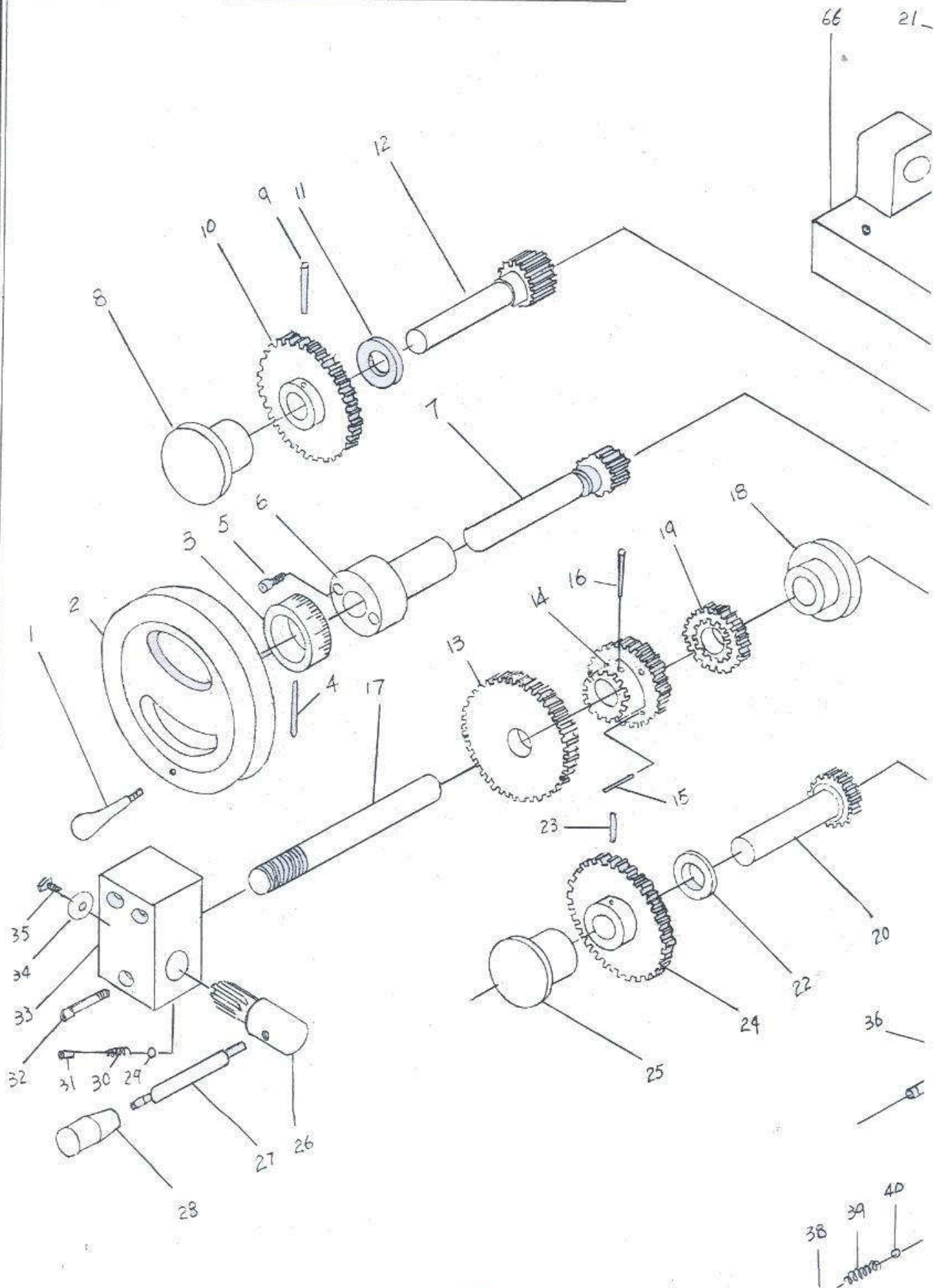
GEAR BOX

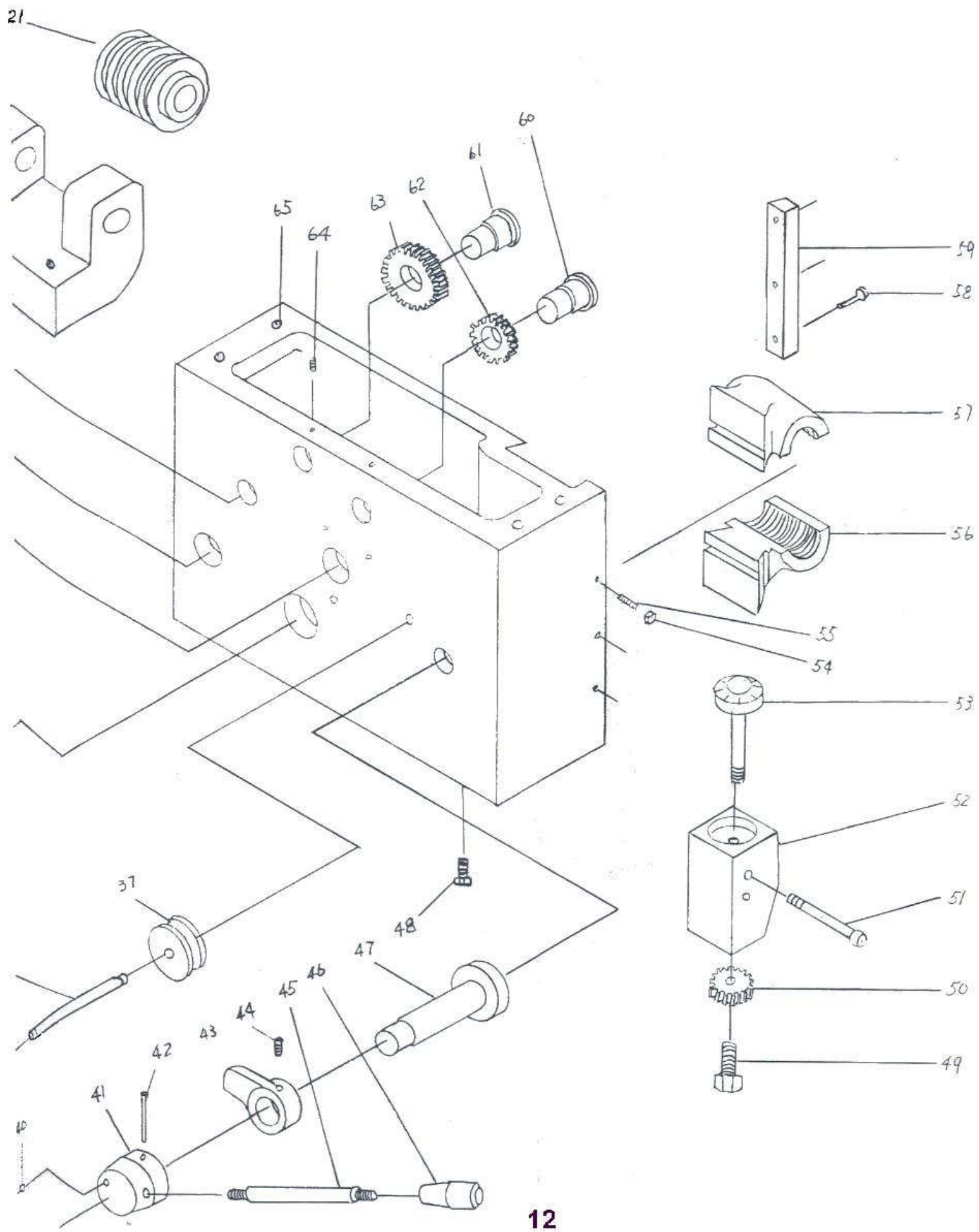
PART NO.	DESCRIPTION	QUANTITY	REMARK
TD-4C-35	Screw	1	
" 36	Washer	1	
" 37	Gear	11	
" 38	Pin	2	
" 39	Pin	2	
" 40	Gear	1	
" 41	Gear	1	
" 42	Gear	1	
" 43	Gear	1	
" 44	Gear	1	
" 45	Gear	1	
" 46	Gear	1	
" 47	Gear	1	
" 48	Gear	1	
" 49	Gear	1	
" 50	Gear	1	
" 51	Gear	1	
" 52	Shift Gear	1	
" 53	Shaft	1	
" 54	Key	1	
" 55	Key	1	
" 56	Bearing	1	
" 57	Gear	1	
" 58	Gear	1	
" 59	Shifter Bracket	1	
" 60	Gear	1	
" 61	Gear	1	
" 62	Key	2	
" 63	Shaft	1	
" 64	Bearing	1	
" 65	Shaft	2	
" 66	Shifter Pin	2	
" 67	Spring	2	
" 68	Stud	2	

GEAR BOX

PART NO.	DESCRIPTION	QUANTITY	REMARK
TD-4C-69	Sleeve	2	
" 70	Shaft	1	
" 71	Set Screw	1	
" 72	Gear	1	

APRON





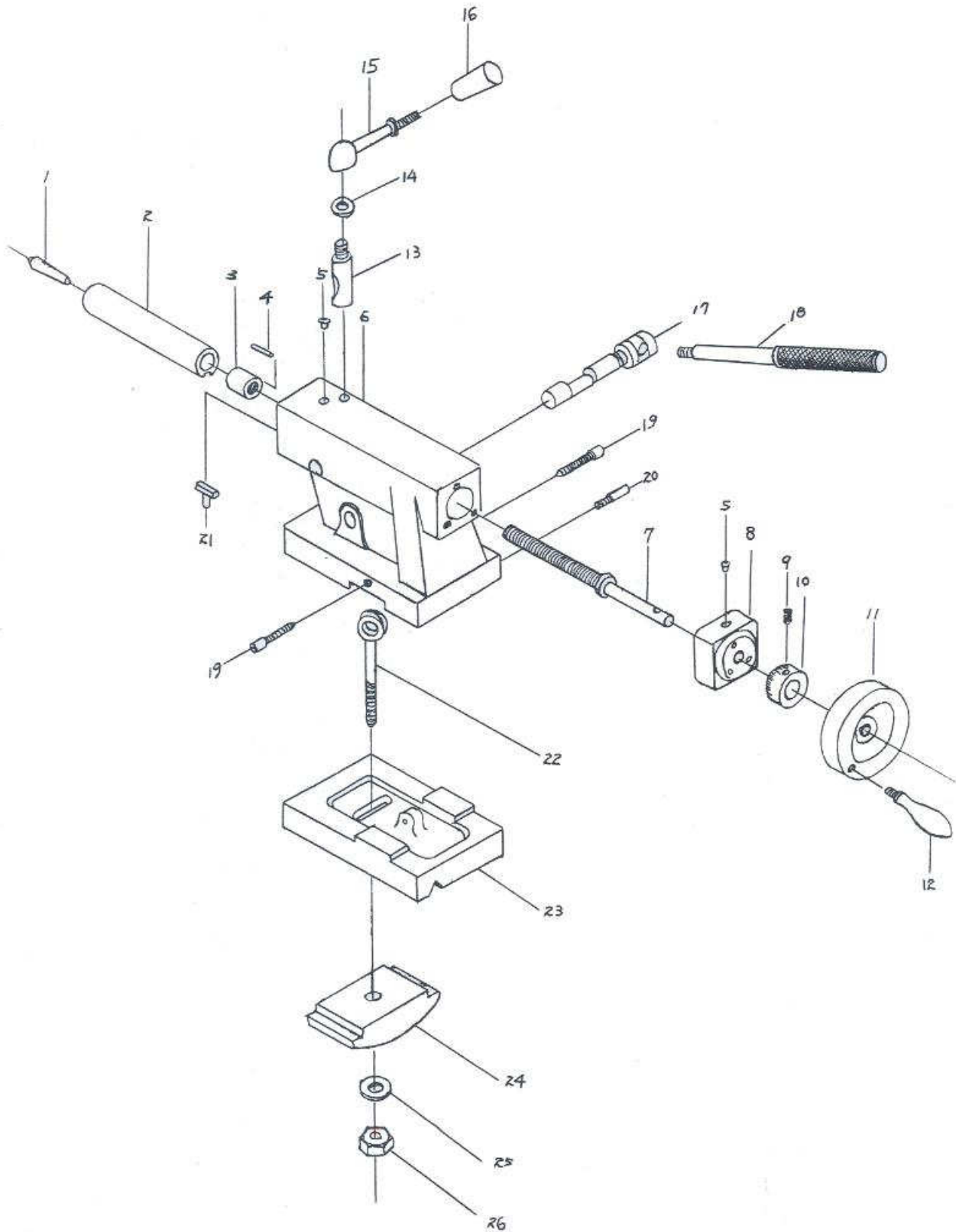
APRON

PART NO.	DESCRIPTION	QUANTITY	REMARK
TD-4D-1	Grip	1	
" 2	Hand Wheel	1	
" 3	Micro Collar	1	
" 4	Taper Pin	1	
" 5	Screw	2	
" 6	Sleeve	1	
" 7	Gear Shaft	1	
" 8	Bushing	1	
" 9	Taper Pin	1	
" 10	Gear	1	
" 11	Washer	1	
" 12	Gear Shaft	1	
" 13	Clutch Gear	1	
" 14	Clutch Gear	1	
" 15	Pin	3	
" 16	Taper Pin	1	
" 17	Shaft	1	
" 18	Bushing	1	
" 19	Clutch Gear	1	
" 20	Gear Shaft	1	
" 21	Worm	1	
" 22	Washer	1	
" 23	Taper Pin	1	
" 24	Gear	1	
" 25	Bushing	1	
" 26	Handle	1	
" 27	Feed Change Lever	1	
" 28	Knob	1	
" 29	Steel Ball	1	
" 30	Spring	1	
" 31	Screw	1	
" 32	Screw	3	
" 33	Handle Boss	1	
" 34	Washer	1	

APRON

PART NO.	DESCRIPTION	QUANTITY	REMARK
TD-4D-35	Screw	1	
" 36	Shaft	1	
" 37	Lever for Safety Device	1	
" 38	Screw	1	
" 39	Spring	1	
" 40	Steel Ball	1	
" 41	Handle Boss	1	
" 42	Taper Pin	1	
" 43	Clamping Plate	1	
" 44	Screw	1	
" 45	Lever	1	
" 46	Knob	1	
" 47	Shaft of Half Nut	1	
" 48	Screw	1	
" 49	Screw	1	
" 50	Pinion	1	
" 51	Screw	2	
" 52	Ram	1	
" 53	Thread Dial	1	
" 54	Nut	1	
" 55	Set Screw	1	
" 56	Half Nut	1	
" 57	Half Nut	1	
" 58	Screw	3	
" 59	Gib	1	
" 60	Shaft	1	
" 61	Shaft	1	
" 62	Gear	1	
" 63	Gear	1	
" 64	Set Screw	1	
" 65	Apron Case	1	
" 66	Worm Gear Fram	1	

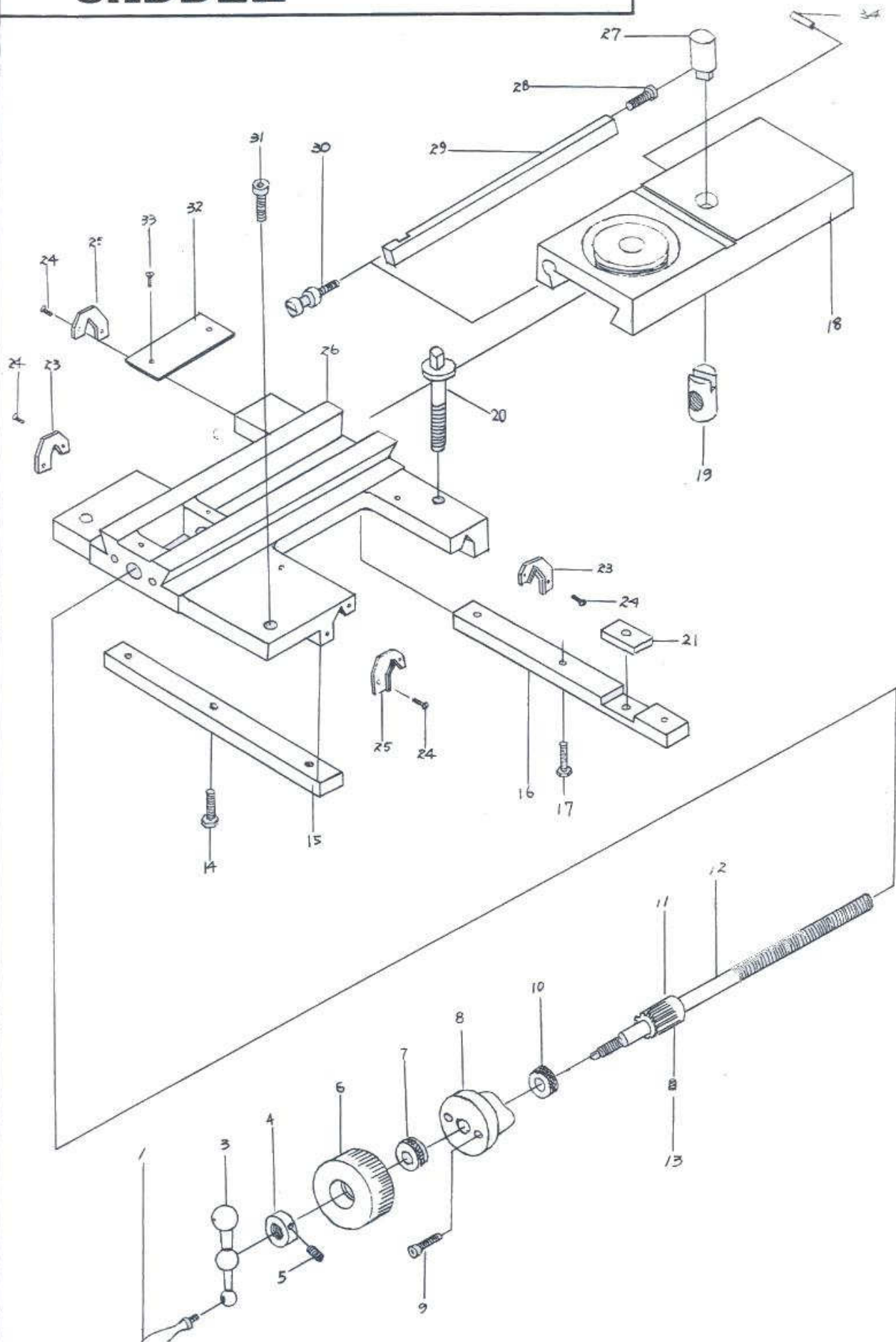
TAIL STOCK



TAIL STOCK

PART NO.	DESCRIPTION	QUANTITY	REMARK
TD-4E-1	Center	1	
" 2	Sleeve	1	
" 3	Bushing	1	
" 4	Pin	1	
" 5	Oiler	2	
" 6	Tailstock Body	1	
" 7	Screw Shaft	1	
" 8	Bearing Bracket	1	
" 9	Set Screw	1	
" 10	Micor Dial	1	
" 11	Handle Wheel	1	
" 12	Crip	1	
" 13	Lock Lever	1	
" 14	Washer	1	
" 15	Handle	1	
" 16	Knob	1	
" 17	Clamping Shaft	1	
" 18	Clamping Handle	1	
" 19	Adjusting Screw	2	
" 20	Set Screw	1	
" 21	Key	1	
" 22	Fixing Screw	1	
" 23	Base	1	
" 24	Base Shoe Block	1	
" 25	Washer	1	
" 26	Nut	1	

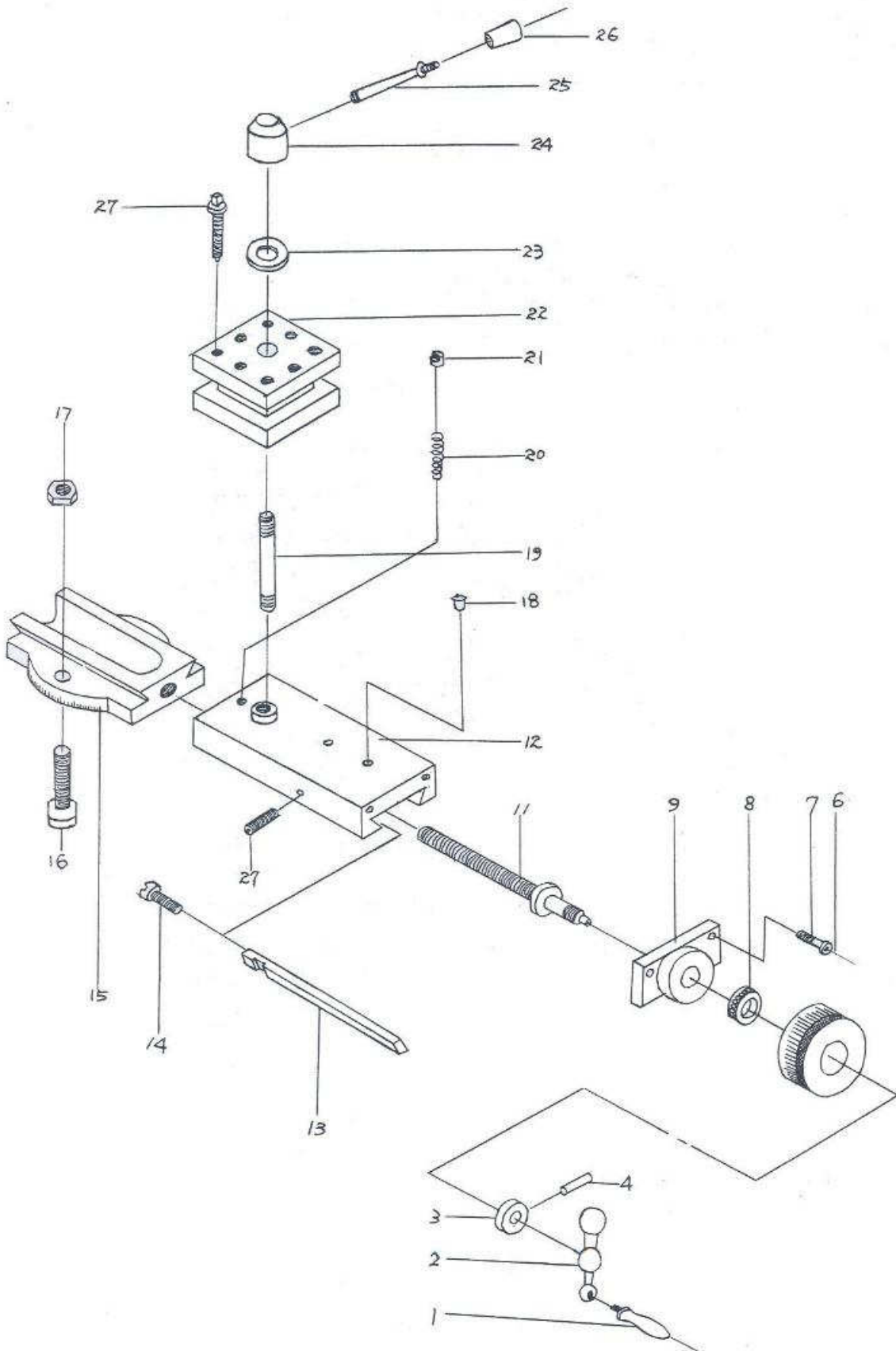
SADDLE



SADDLE

PART NO.	DESCRIPTION	QUANTITY	REMARK
TD-4F-1	Grip	1	
" 2			
" 3	Handle Crank	1	
" 4	Nut	1	
" 5	Set Screw	1	
" 6	Micro Dial	1	
" 7	Thrust Bearing	1	
" 8	Bracket	1	
" 9	Set Screw	2	
" 10	Thrust Bearing	1	
" 11	Gear	1	
" 12	Cross Slide Screw Shaft	1	
" 13	Set Screw	1	
" 14	Set Screw	3	
" 15	Slide Plate	1	
" 16	Slide Plate	1	
" 17	Set Screw	3	
" 18	Tool Post Slide	1	
" 19	Nut	1	
" 20	Lock Screw	1	
" 21	Location Plate	1	
" 22			
" 23	Wiper	2	
" 24	Set Screw	8	
" 25	Wiper	2	
" 26	Saddle	1	
" 27	Key	1	
" 28	Adjusting Screw	1	
" 29	Gib	1	
" 30	Adjusting Screw	1	
" 31	Set Screw	4	
" 32	Cover Plate	1	
" 33	Set Screw	2	
" 34	Set Screw	1	

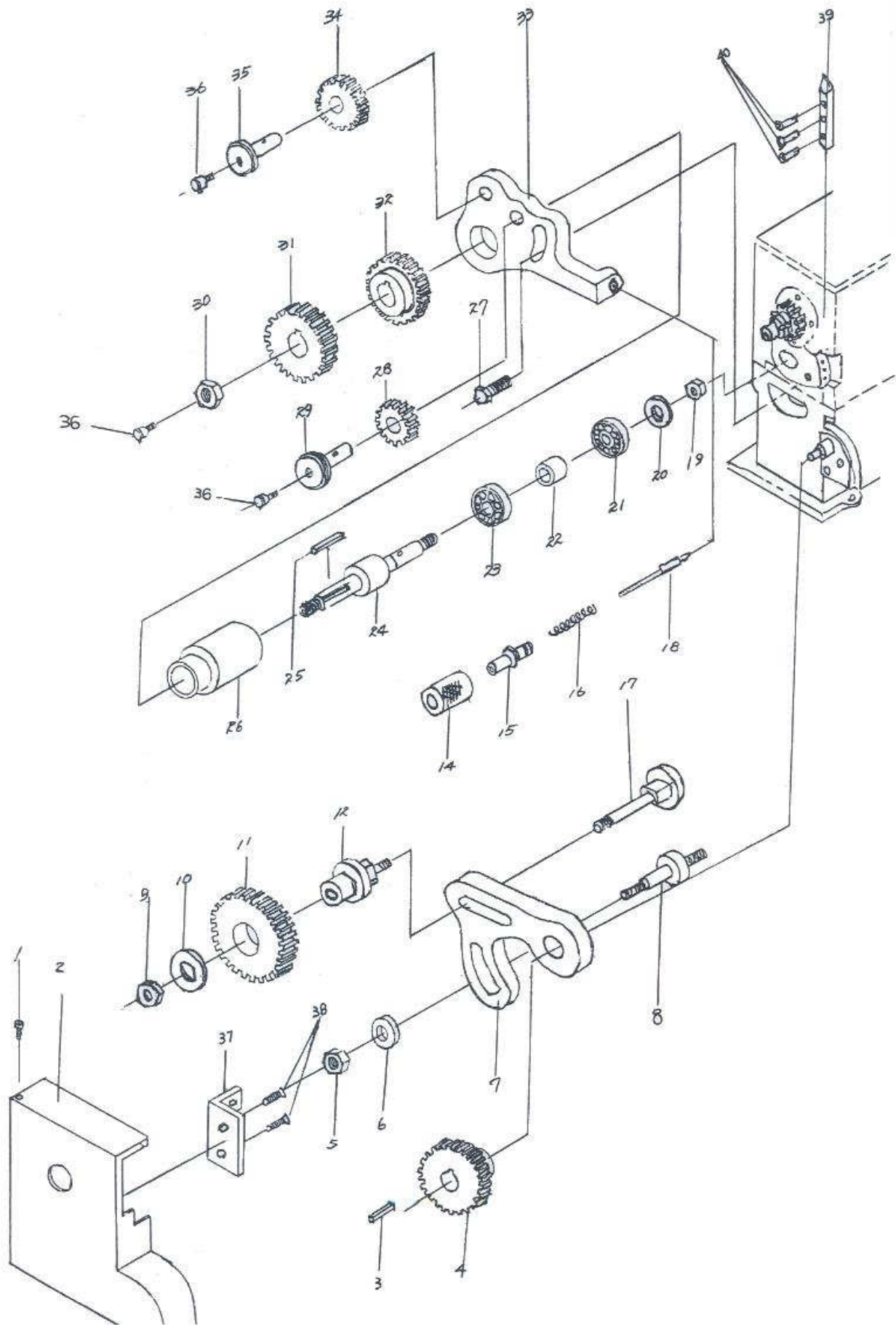
TOOL POST



TOOL POST

PART NO.	DESCRIPTION	QUANTITY	REMARK
TD-4G-1	Handle	1	
" 2	Handle Crank	1	
" 3	Nut	1	
" 4	Set Screw	1	
" 5		1	
" 6	Micro Dial	1	
" 7	Screw	2	
" 8	Thrust Bearing	1	
" 9	Bracket	1	
" 10		1	
" 11	Screw Shaft	1	
" 12	Compound Slide	1	
" 13	Gib	1	
" 14	Adjusting Screw	1	
" 15	Compound Rest	1	
" 16	Bolt	2	
" 17	Nut	2	
" 18	Oiler	1	
" 19	Screw	1	
" 20	Spring	1	
" 21	Stopper	1	
" 22	Square Turret Tool Post	1	
" 23	Washer	1	
" 24	Handle Boss	1	
" 25	Handle	1	
" 26	Grip	1	
" 27	Square Head Bolt	8	

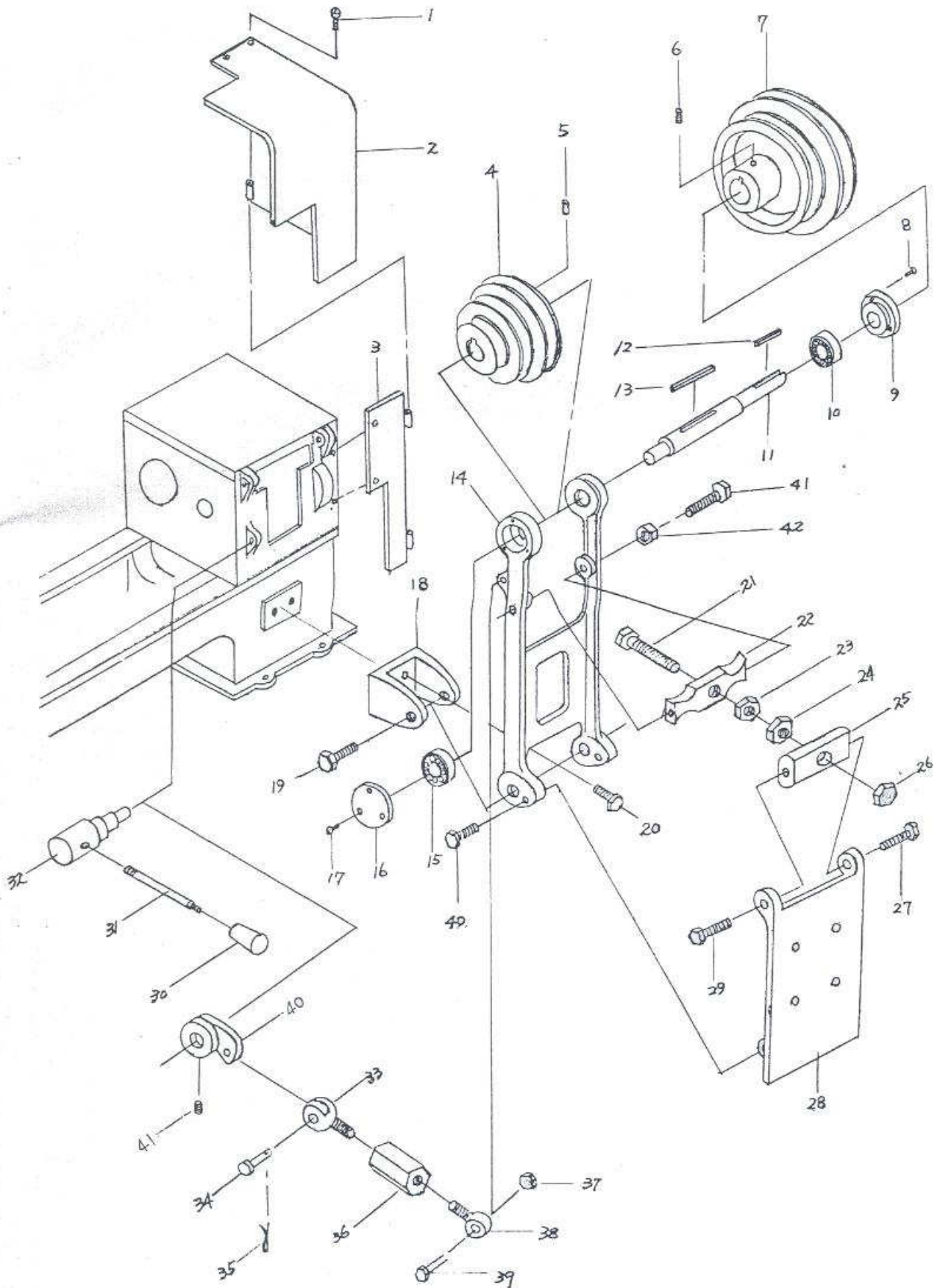
CHANGE GEAR



CHANGE GEAR

PART NO.	DESCRIPTION	QUANTITY	REMARK
TD-4H-35	Gear Shaft	1	
" 36	Oiler	3	
" 37	Bracket	1	
" 38	Cross Recessed Flat Screw	2	
" 39			
" 40	Cross Recessed Flat Screw	3	

DRIVE ASSEMBLY



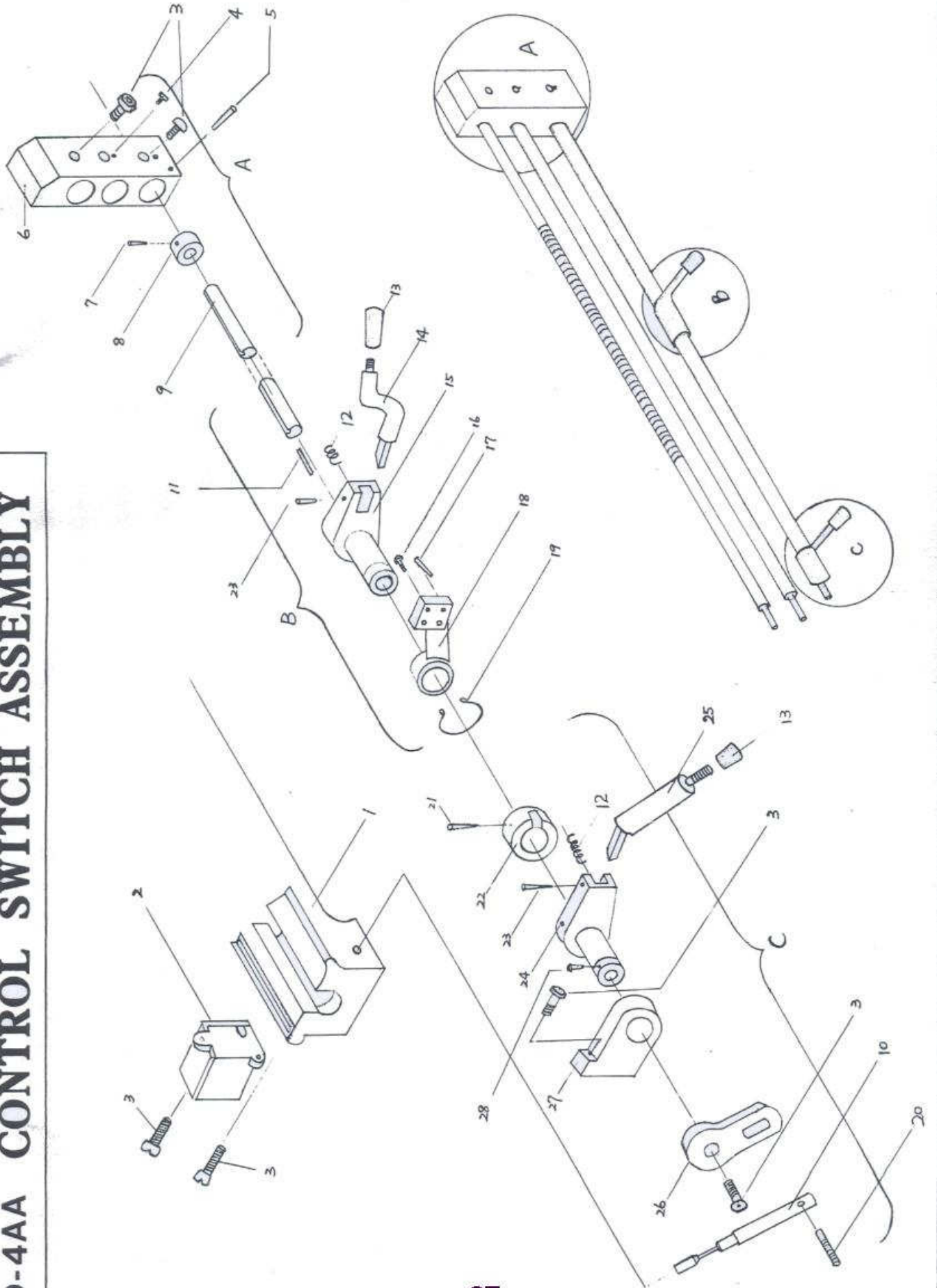
DRIVE ASSEMBLY

PART NO.	DESCRIPTION	QUANTITY	REMARK
TD-4I-1	Set Screw	2	
" 2	Cover	1	
" 3	Cover Side Plate	1	
" 4	Pulley	1	
" 5	Set Screw	1	
" 6	Set Screw	1	
" 7	Pulley	1	
" 8	Set Screw	3	
" 9	Bearing Cover	1	
" 10	Bearing	1	
" 11	Pulley Shaft	1	
" 12	Key	1	
" 13	Key	1	
" 14	Pulley Bracket	1	
" 15	Bearing	1	
" 16	Bearing Cover	1	
" 17	Set Screw	3	
" 18	Motor Bracket	1	
" 19	Screw	2	
" 20	Screw	2	
" 21	Screw	1	
" 22	Bracket	1	
" 23	Nut	1	
" 24	Nut	1	
" 25	Spacer	1	
" 26	Nut	1	
" 27	Fixing Screw	1	
" 28	Motor Base	1	
" 29	Fixing Screw	1	
" 30	Knob	1	
" 31	Adjusting Handle	1	
" 32	Ram	1	
" 33	Joint	1	
" 34	Shaft	1	

DRIVE ASSEMBLY

PART NO.	DESCRIPTION	QUANTITY	REMARK
TD-4I-35	Cotter Pin	1	
" 36	Nut	1	
" 37	Nut	11	
" 38	Joint	1	
" 39	Screw	1	
" 40	Eccentric Bracket	1	
" 41	Set Screw	1	
" 42	Screw	2	

D-4AA CONTROL SWITCH ASSEMBLY



CONTROL SWITCH ASSEMBLY

PART NO.	DESCRIPTION	QUANTITY	REMARK
TD- 4S-1	Bed	1	
" 2	Mirco Swith	1	
" 3	Screw	6	
" 4	Oil Cup	1	
" 5	Taper Pin	1	
" 6	Bracket	1	
" 7	Taper Pin	1	
" 8	Sleeve	1	
" 9	Starting Rod	1	
" 10	Rod	1	
" 11	Key	1	
" 12	Spring	2	
" 13	Grip	2	
" 14	Lever	1	
" 15	Handle Boss	1	
" 16	Screw	2	
" 17	Taper Pin	2	
" 18	Bracket	1	
" 19	Snap Ring	1	
" 20	Pin	1	
" 21	Taper Pin	1	
" 22	Sleeve	1	
" 23	Taper Pin	2	
" 24	Handle Boss	1	
" 25	Lever	1	
" 26	Shifter	1	
" 27	Switch Bracket	1	
" 28	Screw	1	