

MAINTENANCE TYPE ONLY

***DIGITRON-10 Digit Side-Viewing
Cold-Cathode Numerical Register Tube**

GR10G

Limit Ratings

Maximum cathode current	9 mA
Minimum voltage necessary to ensure breakdown	220 V

Characteristics

Nominal running voltage	180 V
-------------------------	-------

A cathode left floating will assume some potential between that of the anode and the glowing cathode.

Recommended Operating Conditions

Under the recommended D.C. operating conditions with the characters switched sequentially every 24 hours, an average life of 5,000 hours can be expected.

D.C. operation

Anode supply voltage — $R_a = 10k\Omega$	250 V
--	-------

A.C. operation

(Unsmoothed half-wave rectified 50 c.p.s. A.C.)

Anode supply voltage — $R_a = 12k\Omega$	200-220 V r.m.s.
$R_a = 18k\Omega$	220-250 V r.m.s.

Cathode 1 equalizing resistor	8.2k Ω
Cathode 7 equalizing resistor	4.7k Ω

* Registered Trade Mark



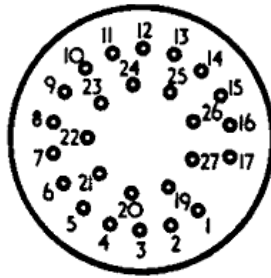
GR10G

DIGITRON-10 Digit Side-Viewing Cold-Cathode Numerical Register Tube

Mechanical Data

Mounting position Any
 Base B26A
 Socket B17, B26A or B27A

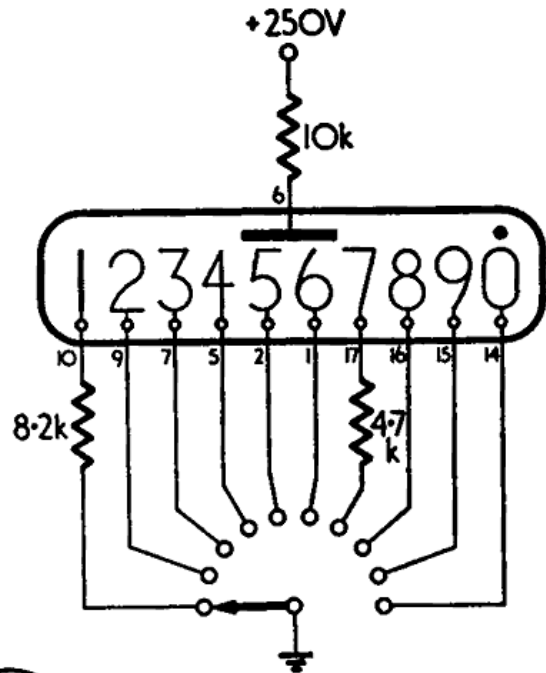
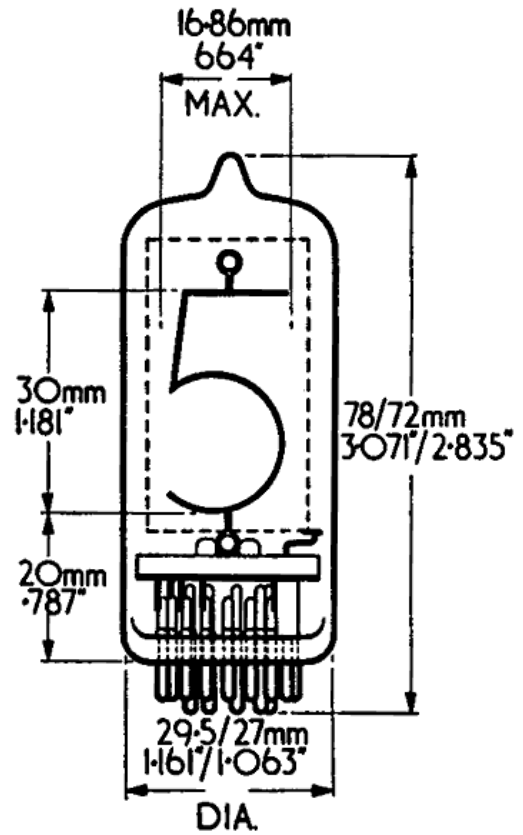
Base Connections
(underside view)



FRONT

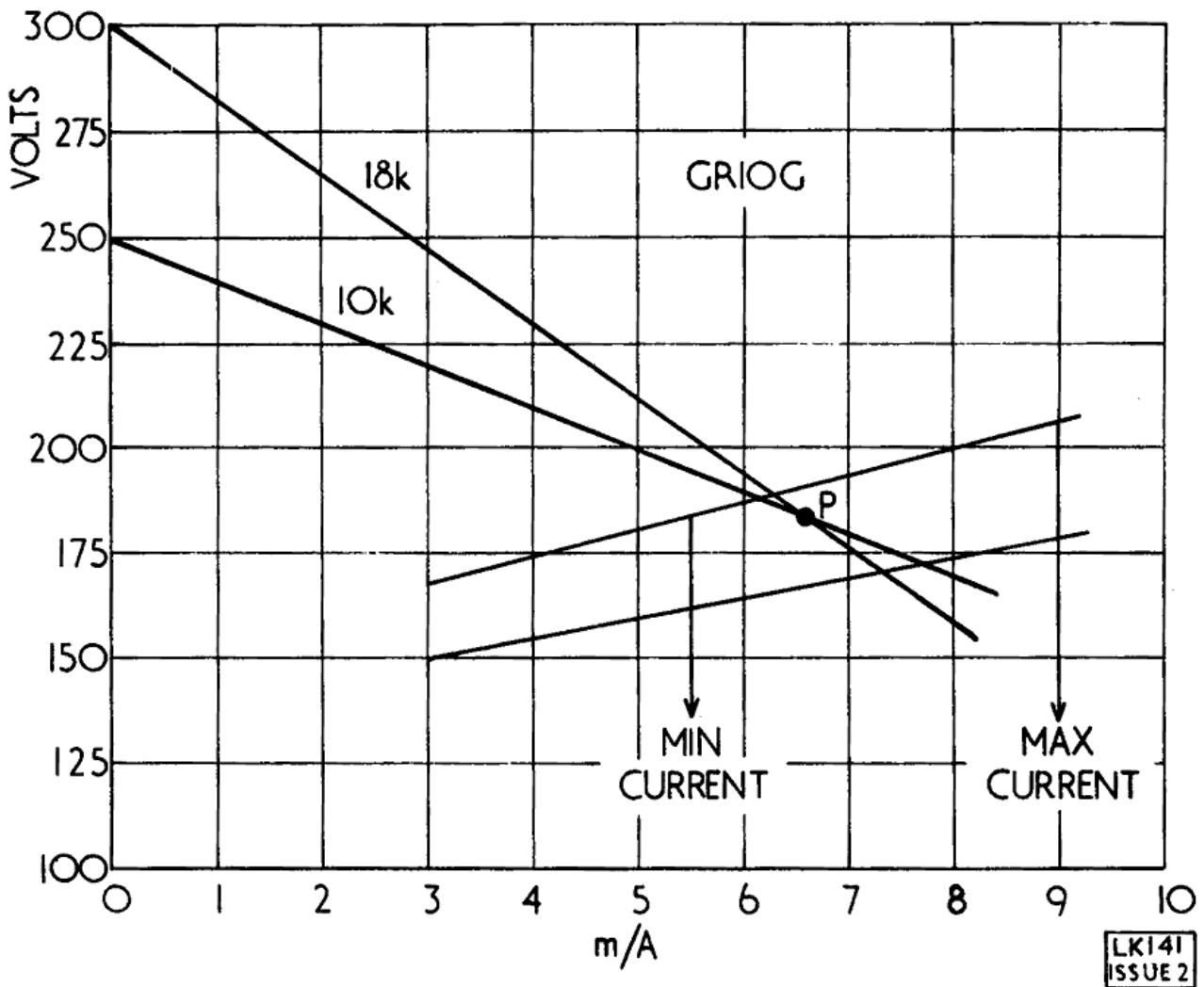
- | | |
|-------|-----------|
| Pin 1 | Cathode 6 |
| 2 | Cathode 5 |
| 5 | Cathode 4 |
| 6 | Anode |
| 7 | Cathode 3 |
| 9 | Cathode 2 |
| 10 | Cathode 1 |
| 14 | Cathode 0 |
| 15 | Cathode 9 |
| 16 | Cathode 8 |
| 17 | Cathode 7 |

Note—All other pins are to be left unconnected.



***DIGITRON — 10 Digit Side-Viewing
Cold-Cathode Numerical Register Tube**

GR10G



Operating Characteristics

*Registered Trade Mark

